

LTECH

Push to DALI Module

Model: KPD



Manual

www.ltech-led.com

Product Introduction

- Make the ordinary switch into DALI master control, support 4-way reset switch or 4-way mechanical switch input control DALI device;
- The corresponding DALI instruction type can be set freely through the mobile APP NFC;
- Support massive DALI instruction type Settings: such as switch, dimming, color, brightness value, color temperature value, color value, scene and other instruction types;
- Supports broadcast, single address, group address, and scene Settings;
- Supported device types: DT6, Tc, XY coordinates, RGBWAF;
- Each reset switch supports short press, long press, double click three operations, each operation can set up to 10 instruction cycles;
- Each mechanical switch supports on and off operations, each operation can be set corresponding instructions;
- Small size, convenient installation; Can be placed national standard, European regulations, American regulations and other wiring cassette installation.

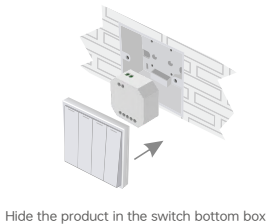
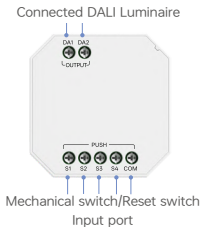
Technical Specs

Model	KPD
Current consumption	≤2mA@16V
Power supply mode	DALI Bus power supply
Input signal	Dry contact
Output signal	DALI
Working environment	-25°C~50°C
Product size	L45×W20.5×H45.5(mm)
Package size	L50×W28×H50(mm)
Product weight	30g

CE RoHS

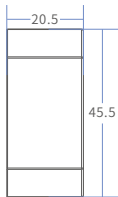
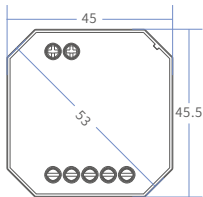


Product icon



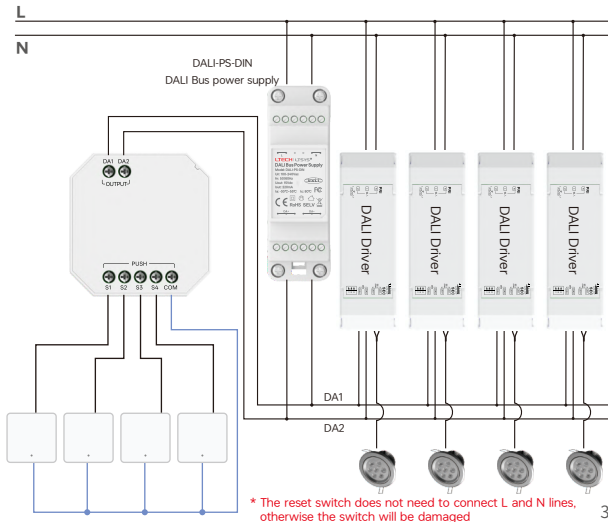
Product size

Unit: mm

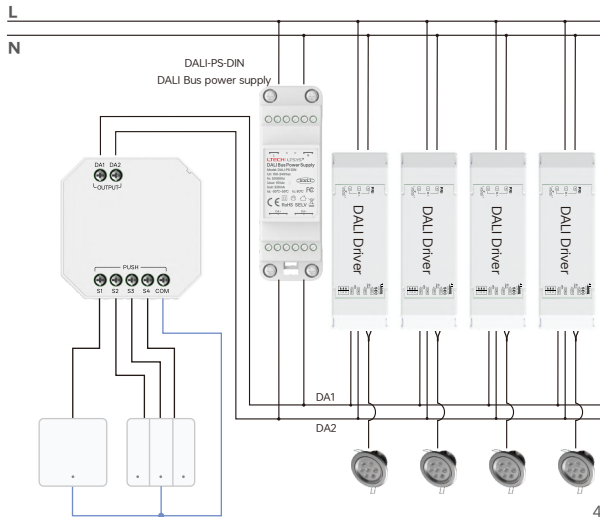


Wiring application

1. Connect four pcs one-way reset switches



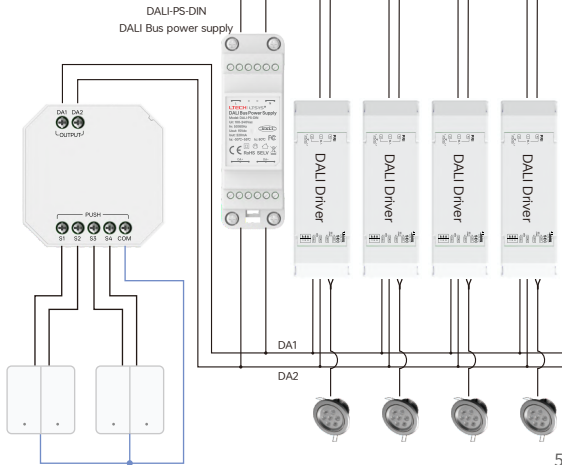
2. Connect a one-way reset switch and a three-way reset switch



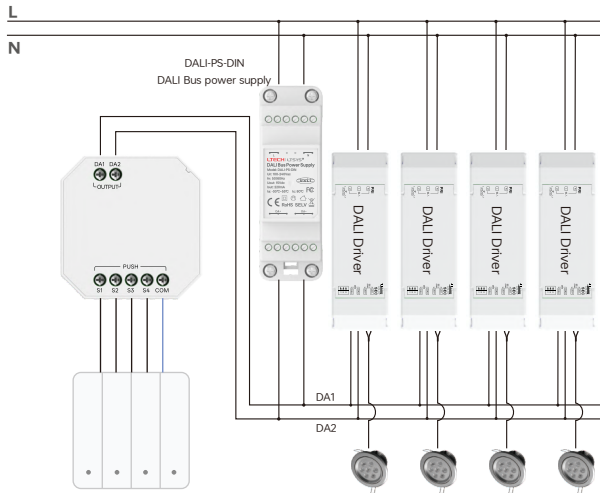
3. Connect two pcs two-way reset switches

L

N



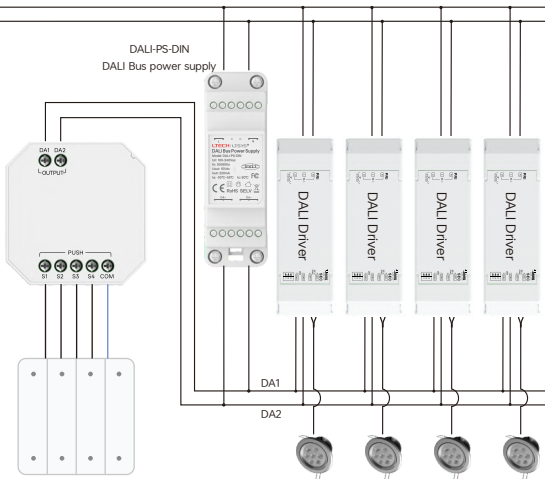
4. Connect a four-way reset switch



5. Get a four-way mechanical switch (Mechanical switches with one and multiple connections)

L

N



*The mechanical switch does not need to be connected to L and N lines,
otherwise the switch will be damaged

Use the NFC Lighting APP

Scan the QR code below with your mobile phone and install the APP as prompted.

(Due to performance requirements, the required phone model is Apple: iPhone8 or above, and the operating system iOS13 or above; Android: NFC enabled models)



Scan code download APP
ios/apk

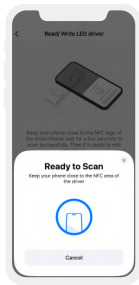
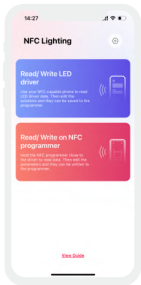


NFC identifier of the device

***When setting device parameters,
Perform this operation only when
the device is powered off.**

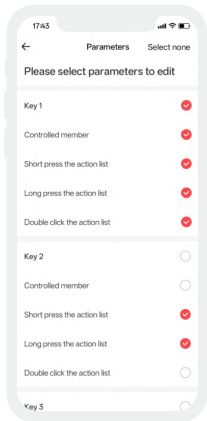
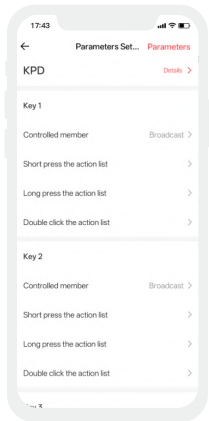
1. Read the device

Click "Read/Write smart Power Supply" in the APP [home page], place the sensing area of the phone near the NFC identification point of the driver, and read the device parameters.



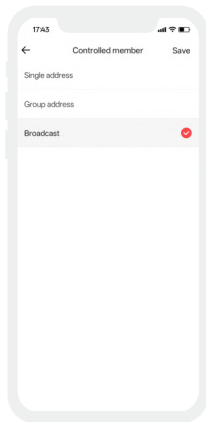
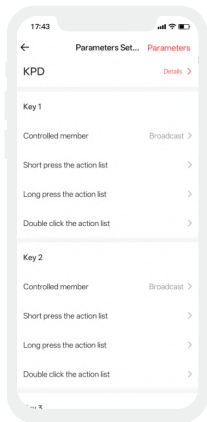
2. Edit parameters

Click "Parameter Management" to select parameters such as edit control object, switch type and switch action.



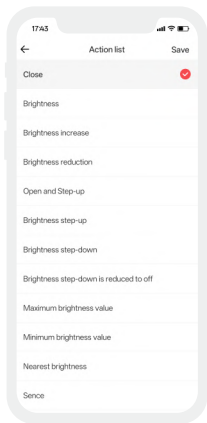
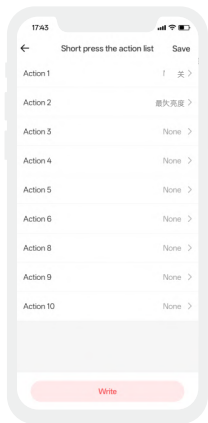
3. Select the control object of the key

Click Control Object to set DALI address information corresponding to each control object, including single address, group address, or broadcast address.



4. Select the action list of the key

- ① When the reset switch is selected, the short-press or long-press action list can bind a maximum of 10 instructions, and the double-click operation can bind a maximum of 4 instructions. The binding actions will be executed in a loop according to the setting sequence.
- ② When the switch is selected as a mechanical switch, each command supports only the on-off action and the off action, and each action can be bound to 1 command.



Attention

- Product installation and commissioning should be done by a qualified professional;
- LTECH products are and not lightningproof non-waterproof (special models excepted). Please avoid the sun and rain. When installed outdoors, please ensure they are mounted in a water proof enclosure or in an area equipped with lightning protection devices;
- Good heat dissipation will prolong the working life of products. Please ensure good ventilation.
- Please check if the working voltage used complies with the parameter requirements of products;
- Before you power on products, please make sure all the wiring is correct in case of incorrect connection that causes damage to light fixtures.;
- If a fault occurs, please do not attempt to fix products by yourself. If you have any question, please contact your suppliers.

* This manual is subject to changes without further notice. Product functions depend on the goods.
Please feel free to contact our official distributors if you have any question.

Warranty Agreement

- Warranty periods from the date of delivery : 2 years.
- Free repair or replacement services for quality problems are provided within warranty periods.

Warranty exclusions below:

Following conditions are not within the guarantee range of free repairing or replacement services:

- Beyond warranty periods;
 - Any artificial damage caused by high voltage, overload, or improper operations;
 - Products with severe physical damage;
 - Damage caused by natural disasters and force majeure;
 - Warranty labels and barcodes have been damaged;
 - No any contract signed by LTECH.
1. Repair or replacement provided is the only remedy for customers. LTECH is not liable for any incidental or consequential damage unless it is within the law.
 2. LTECH has the right to amend or adjust the terms of this warranty. The warranty that issues in writing shall prevail.



LTECH

PUSH-DALI模块

型号: KPD



使用说明书

www.ltech.cn

产品介绍

- 让普通开关变成DALI主控，支持4路复位开关或4路机械开关输入控制DALI设备；
- 可通过手机APP NFC自由设置对应DALI指令类型；
- 支持海量DALI指令类型设置：如开关、调光调色、亮度值、色温值、颜色值、场景等指令类型；
- 支持广播、单地址、组地址、场景设置；
- 支持的设备类型：DT6、Tc、XY坐标、RGBWAF；
- 每路复位开关支持短按，长按，双击三种操作，每个操作最多可设置10个指令循环；
- 每路机械开关支持通和断开两种操作，每个操作可设置对应指令；
- 体积小巧，安装便捷；可放置国标，欧规，美规等接线暗盒安装。

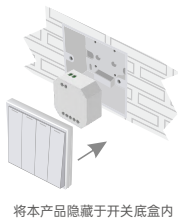
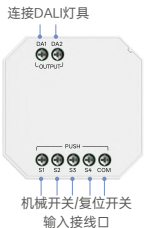
技术参数

产品型号	KPD
电流消耗	≤2mA@16V
供电方式	DALI总线供电
输入信号	干接点
输出信号	DALI
工作温度	-25°C~50°C
产品尺寸	L45×W20.5×H45.5(mm)
包装尺寸	L50×W28×H50(mm)
产品重量	30g

CE RoHS

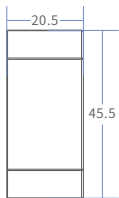
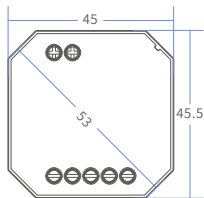


产品图示



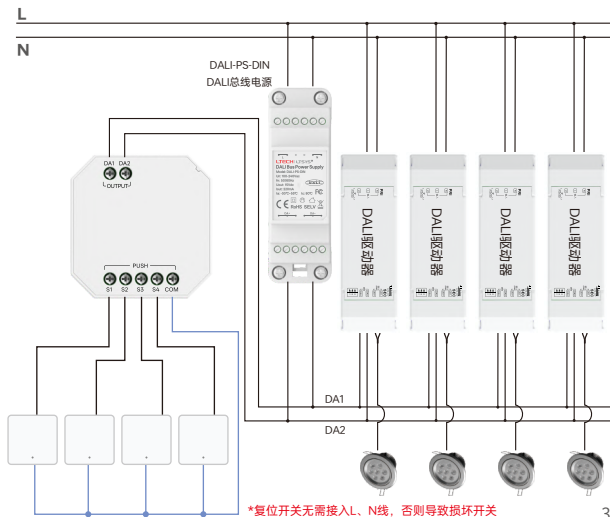
产品尺寸

单位: mm

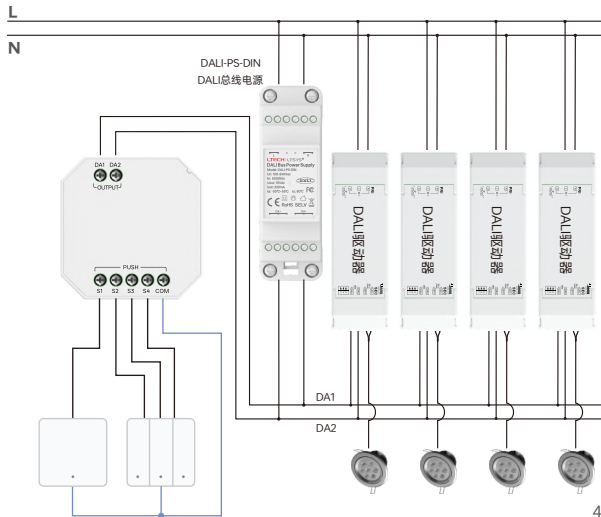


接线应用

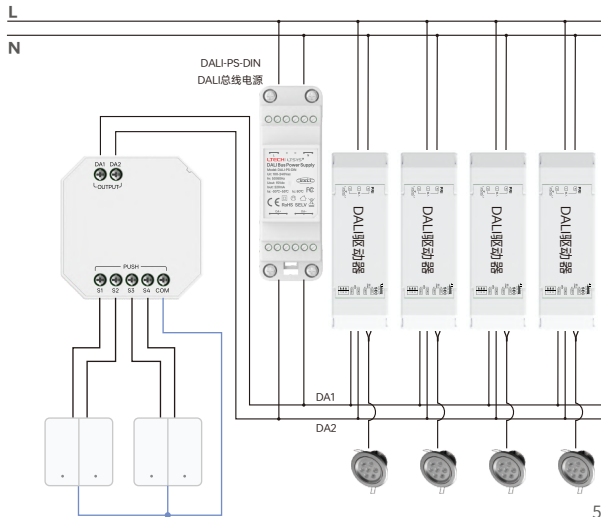
1. 接四个一路复位开关



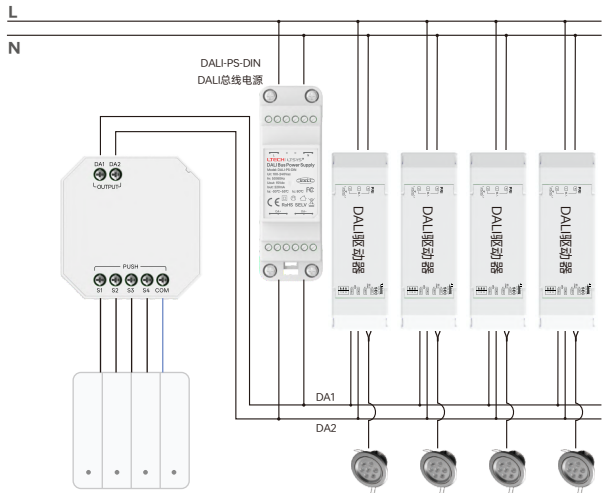
2. 接一个一路复位开关和一个三路复位开关



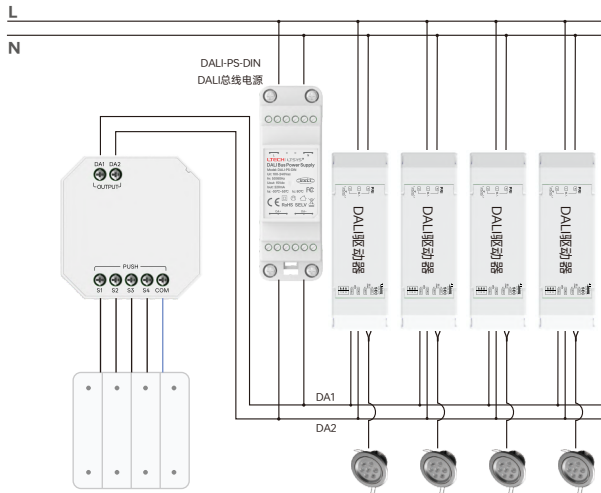
3. 接二个二路复位开关



4. 接一个四路复位开关



5. 接一个四路机械开关(可接一路和多路的机械开关)



*机械开关无需接入L、N线, 否则导致损坏开关

搭配NFC Lighting APP使用

通过手机扫描下方二维码，按提示完成APP安装。(因性能需求，要求手机型号苹果：iPhone8及以上、且操作系统iOS13 及以上；安卓：具备NFC功能机型)



扫码下载APP
ios/apk



设备NFC标识点

*设置设备参数时，
必须在设备断电情况下进行操作。

1. 读取设备

在APP【首页】点击“读/写智能电源”将手机感应区域靠近驱动器NFC标识点，读取设备参数。



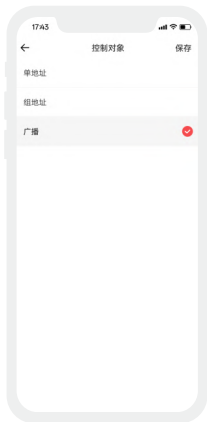
2. 编辑参数

点击“参数管理”可选择编辑控制对象、开关类型及开关动作等参数。



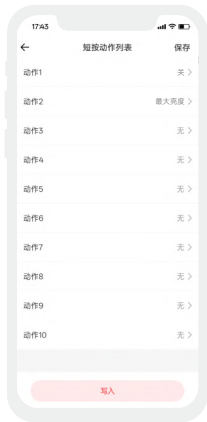
3. 按键的控制对象选择

点击按键的“控制对象”，设置每个按键控制对象对应的DALI地址信息，包括单地址、组地址或广播地址。



4. 按键的动作列表选择

- ①当选择为复位开关时，短按或长按动作列表均可绑定最多10个指令，而双击操作则最多可绑定4个指令，绑定动作将按照设置顺序依次循环执行。
- ②当选择为机械开关时，每个指令仅支持导通动作和断开动作，每个动作仅可绑定1个指令。



注意事项

- 请由具有专业资格的人员进行调试安装；
 - 雷特产品（专有型号除外）不能防水防雷，需避免日晒雨淋，如安装在户外，请用防水箱和防雷装置；
 - 请检查使用的工作电压是否符合产品的参数要求；
 - 通电调试前，应确保所有接线正确，以避免因接线错误而导致灯具损坏；
 - 如果发生故障，请勿私自维修；如有疑问，请联系供应商；
 - 请检查使用的工作电压是否符合产品的参数要求。
- * 本说明书的内容如有变更，恕不另行通知。若内容与您使用的功能有所不同，则以实物为准。如有疑问，欢迎向我司授权的经销商咨询。

保修条例

- 自出厂之日起保修服务期为2年。
- 在保修服务期内出现产品质量问题雷特将给予免费修理或更换服务。

非保修条例:

属下列情况不在免费保修或更换服务范围之内:

- 已经超出保修期限的;
 - 过高电压、超负载、操作不当等人为造成的损坏;
 - 产品外形严重损坏或变形;
 - 自然灾害以及人力不可抗拒原因造成的损坏;
 - 产品保修标签和产品唯一条形码损坏;
 - 无雷特签订的合同或发票凭证。
1. 修理或更换是雷特对客户唯一补救措施。雷特不承担任何附带引起的损害赔偿责
任，除非在适用法律范围之内。
 2. 雷特享有修正或调整本保修条款的权利，并以书面形式发布为准。

